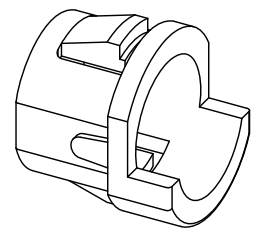
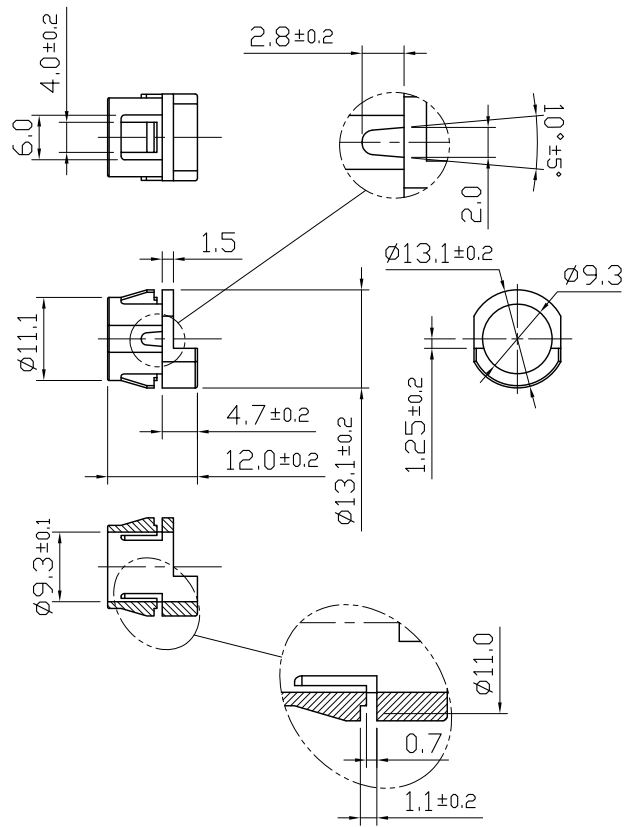
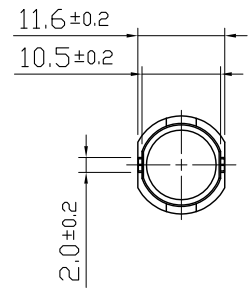


建議開孔尺寸
SCALE 2:1



ARISTOTLE 亞驪企業股份有限公司
ENTERPRISES INC.

PROJECTION	UNITS	mm	TITLE	SHEET	
	SCALE	1/1	BPC2J4		
	PAPER	A4			
APPD.			DWG NO.	1/1	
CHKD.				REV.	
DESIGN					
REV	ECN	NAME	DATE	DRAW	
				J.W.Lee	16/10/04